

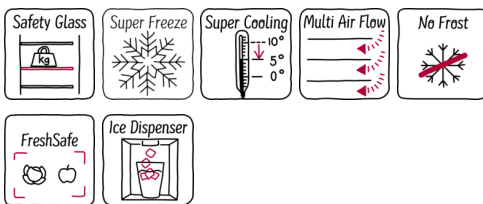
N 50, American side by side, 177 x 91 cm, Black
KA3902B20G



COOKING PASSION SINCE 1877



A+



The American Side-by-Side is super-convenient thanks to FreshSafe, the ice and water dispenser, and the SuperCooling function.

- ✓ FreshSafe: Stores your fruit and vegetables safely
- ✓ NoFrost: No more manual thawing. The air circulates to stay dry so there's no ice buildup.
- ✓ Ice Dispenser: Constantly fresh ice cubes and crushed ice thanks to the pleasantly illuminated ice dispenser.
- ✓ Our safety glass shelves happily shoulder generous loads of delicacies in your fridge

Features

Technical Data

Construction type : Free-standing
 Door panel options : Not possible
 Height (mm) : 1770
 Width of the product (mm) : 910
 Depth of the product : 720
 Net weight (kg) : 103.600
 Connection rating (W) : 374
 Current (A) : 10
 Door hinge : Left & Right
 Voltage (V) : 220-240
 Frequency (Hz) : 50
 Approval certificates : CE
 Length of electrical supply cord (cm) : 240
 Storage Period in Event of Power Failure (h) : 4
 Number of compressors : 1
 Number of independent cooling systems : 1
 Interior ventilator : Yes
 Reversible Door Hinge : No
 Number of Adjustable Shelves in fridge compartment (Stck) : 0
 Shelves for Bottles : No
 Capacity of Water Tank [l] : 1.1
 EAN code : 4242004204671
 Brand : Neff
 Product name / Commercial code : KA3902B20G
 Energy efficiency class (2010/30/EC) : A+
 Energy consumption annual (kWh/annum) - NEW (2010/30/EC) : 436.00
 Refrigerator Net capacity (l) - NEW (2010/30/EC) : 370
 Freezer Net capacity (l) - NEW (2010/30/EC) : 163
 Frost free system : Fridge and freezer
 Temperature rise time (h) : 4
 Freezing capacity (kg/24h) - NEW (2010/30/EC) : 11
 Climate class : SN-T
 Noise level (dB(A) re 1 pW) : 43
 Installation type : N/A



4 242004 204671

N 50, American side by side, 177 x 91 cm, Black
KA3902B20G

Features

Performance

- Energy consumption: 436 kWh kWh/yr.
- Total net capacity: 533 litres
- Net fridge capacity: 370 litres
- Net freezer capacity: 157 litres
- Noise level dB(A) re 1 pW: 43
- Climate class SN-T (suitable for ambient temperatures between 10 to 43°C)

Design features

- Black doors and black side panels
- aluminium bar handle
- Internal water filter
- No Frost
- Automatic defrost fridge
- Single cooling circuit
- Bright interior LED fridge light
- Removable magnetic door seals - easy to clean
- Acoustic door open warning indicator
- Freezer malfunction warning signal: optical and acoustical

Freshness System

- MultiAirFlow cooling - improves circulation of air around the fridge

Additional features

- 4 safety glass shelves in fridge compartment of which 0 are height adjustable
- MultiBox - the special compartment in the door
- Left hinged door, Right hinged door
- Height adjustable front feet

Functions

- Electronic controls for fridge and freezer
- Super Cooling: automatic deactivation
- SuperFreeze function with automatic deactivation
- Freezer malfunction warning signal: optical and acoustical

Key features - Fridge section

- 2 vegetable container on rails
- 4 removable door storage compartments.
- Door shelves in fridge door: 4 large and 1 small.
- 1 x connection hose, 2 x egg tray
- Bright interior LED fridge light

Key features - Freezer section

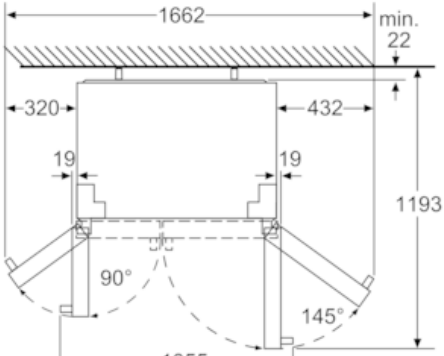
- In-door ice and water dispenser: chilled water, crushed ice, ice cubes, water filter included. Dispenser features: child lock, on/

off switch, LED light, LED-Display and water filter replacement indicator

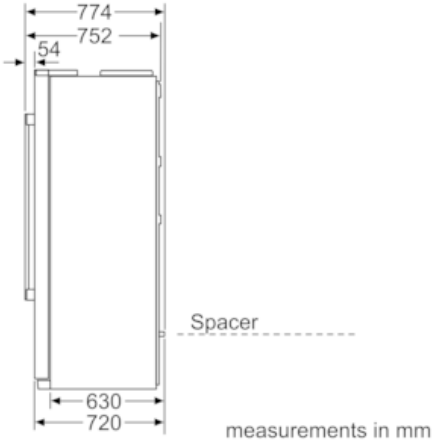
- 1 ice cube tray
- 2 freezer drawers
- Freezing capacity in 24 hours: 11 kg
- Ice cube output: 0.9 kg/24 hours
- Maximum freezer storage time in power failure: 4 hours
- Door trays in freezer door: 4
- Dimensions: 177 cm H x 91 cm W x 72 cm D
- Connection Length (water supply):500 cm

N 50, American side by side, 177 x 91 cm, Black
 KA3902B20G

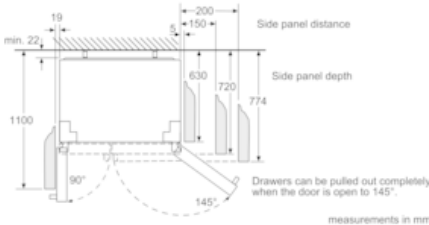
Dimensioned drawings



Drawers can be pulled out completely when the door is open to 145°. measurements in mm



measurements in mm



Drawers can be pulled out completely when the door is open to 145°. measurements in mm